

Student Number:

Student Name:

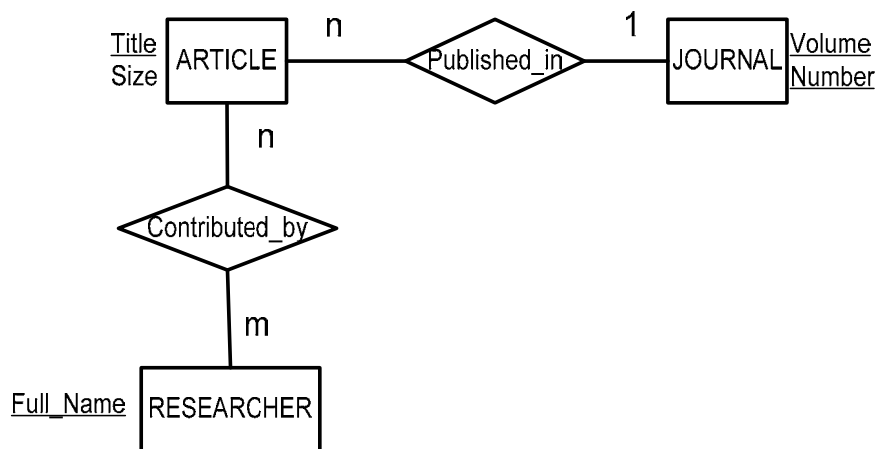
Date:

### CS5483 Tutorial question 3

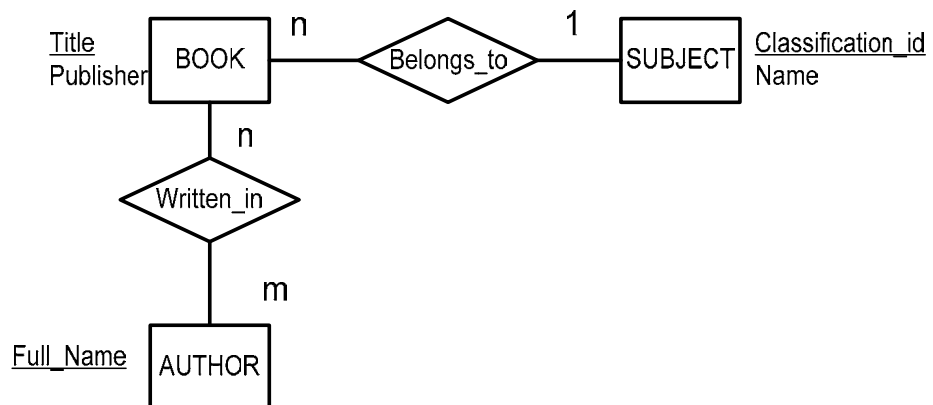
Provide an integrated schema for the following two views which are merged to create a bibliographic database. During identification of correspondences between the two views, the users discover the followings:

1. RESEARCHER and AUTHOR are synonyms,
2. CONTRIBUTED\_BY and WRITTEN\_IN are synonyms,
3. ARTICLES belongs to a SUBJECT.
4. ARTICLES and BOOK can be generalized as PUBLICATION.

### View 1



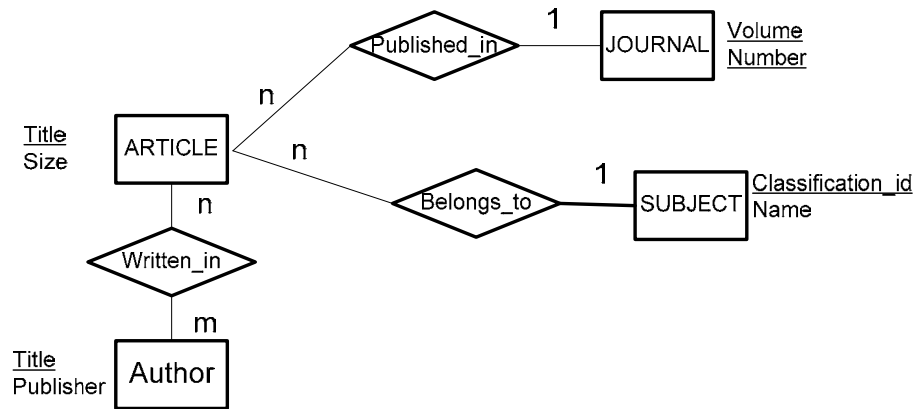
### View 2



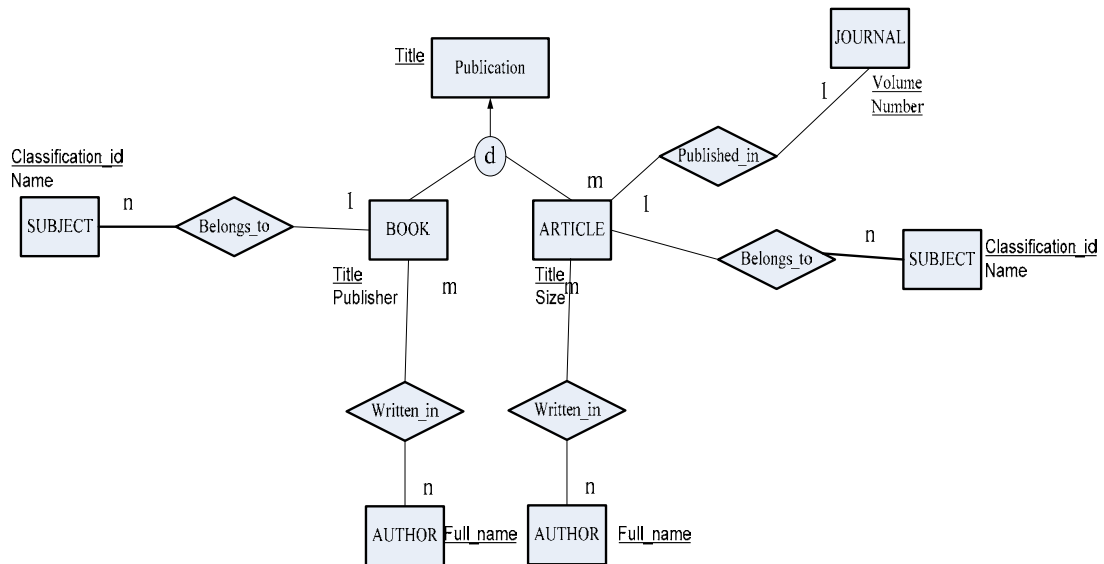
Hints: Given two subclass entities have same relationship(s). The two subclasses entities can be generalized into a superclass entity and the subclass relationship(s) can also be generalized into a superclass relationship..

Model answer

Modified View 1 to confirm to view 2



Integrate modified view 1 and view 2



Simplify the integrated schema by combining relationships Belongs-to & Written-in into one:

